



AMPLIFORM PRODUCTS

ALUMINIUM TO NEW HEIGHTS



NORMEKA

We are a state-of-the-art mechanical manufacturing company that specialises in aluminium products. Ever since the start in 1980, we have developed with the industry, been innovative and renewed ourselves. Well established in Rømskog, Norway, we are continuing to expand into new markets.

Our own brand, AmpliForm[®], is an internationally renowned product line that is continuously developing for new areas of usage. Focusing on the environment, we manufacture high quality products with long durability.

In addition, we offer a wide variety of services within mechanical manufacturing. Our in-house expertise, top-of-the-line manufacturing equipment and automated processes allows us to offer flexible and custom solutions for our clients.

Contents

- 03 Unique qualities
- 04 Aluminium
- 05 AmpliRist[®]
- 09 AmpliNett[®]
- 11 AmpliSil
- 13 AmpliSafe[®]
- 15 Framing profiles, AmpliNett[®] AN 750-920-1100
- 16 Framing profiles, AmpliNett[®] AN 1170
- 17 Edge profiles, AmpliRist[®]
- 18 Stringer-beam profiles
- 19 Railing profiles
- 21 Environment
- 22 Contact / notes



THE AMPLIFORM-FAMILY

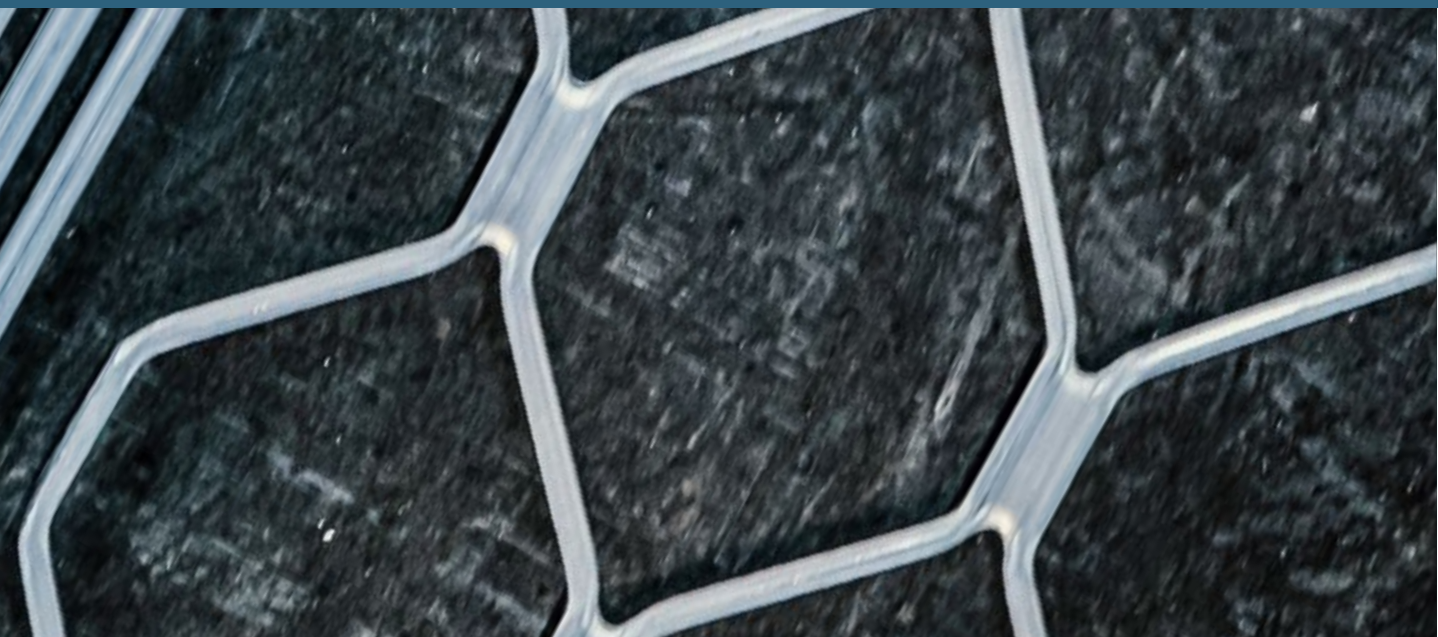
AmpliForm® is our own product line and an important base product for several of our aluminium systems. We have developed our own and unique production line for this type of extruded and stretched metal, and can therefore produce high quality fences, walkways and masts for a number of different areas of usage.

The product line consists of masts, grates and mesh produced from the aluminium profiles we have developed. Our different products receive their final pattern by our unique method of cutting and stretching the profiles. This way, we are creating a mesh system for multiple usage, from fine mesh to large mast constructions.

Aluminium that is shaped in this manner has a superior strength-to-weight-ratio. This allows for easier transportation and assembly, as well as fulfilling necessary safety requirements where that is needed. The Ampliform-family is 100% aluminium based and is therefore extremely resistant to corrosion and exterior impact, even if left untreated. This product is therefore very well suitable to demanding environments both indoors, outdoors and in exposed marine atmospheres. If a specific look or colour is wanted, the aluminium can be anodized or powder coated.

AmpliForm® consists of the following products:

- **AmpliRist®**
- **AmpliNett®**
- **AmpliSil**
- **AmpliSafe®**





UNIQUE QUALITIES

- All AmpliForm® products are made from sea water resistant aluminium.
- Very high strength-to-weight ratio.
- Can be anodized and powder coated for a specific colour.
- Adjusted and calculated to each project for optimal properties and costs.
- Maintenance free and still made in a recyclable material with a low environmental footprint.

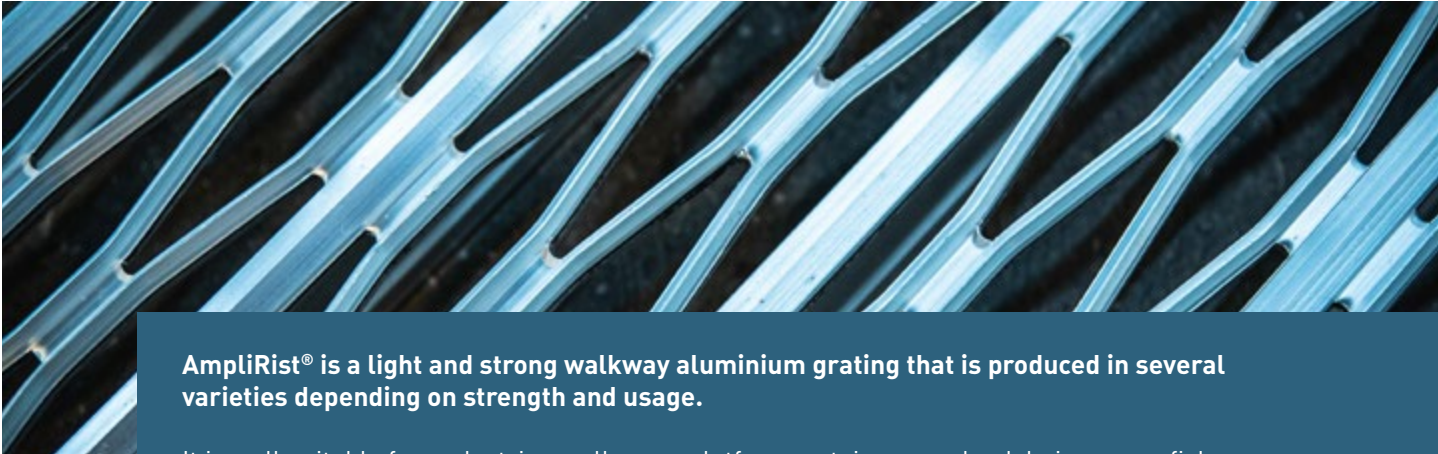
ALUMINIUM

We are using aluminium for everything from small, singular products to heavy constructions such as walkways and mesh systems. For more than 40 years we have worked with aluminium, and we intend to continue doing so in the years to come.

Aluminium is a very versatile material, and it is also possibly one of the most environmentally friendly construction material. Did you know that 75% of all aluminium ever produced is still in use, thanks to the metal's endurance and ability for recycling? At Normeka we focus on efficient use of raw materials and recycle all aluminium from the production line.

Aluminium has a unique strength - to - weight ratio, as well as being very flexible in terms of design. This makes it the material of choice among engineers and architects. Its particular corrosion resistance ensures long durability, and it is also susceptible to various surface treatments.

AmpliRist®



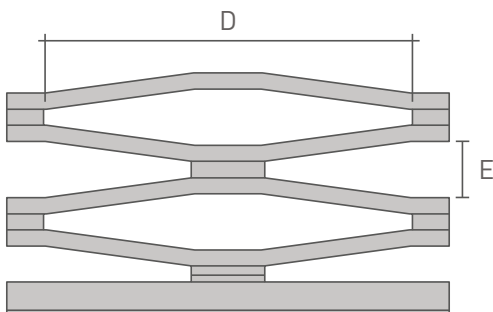
AmpliRist® is a light and strong walkway aluminium grating that is produced in several varieties depending on strength and usage.

It is well suitable for pedestrian walkways, platforms, stairways, wheelchair ramps, fish farming facilities, rooftop evacuation routes and gangplank in marine environments etc.

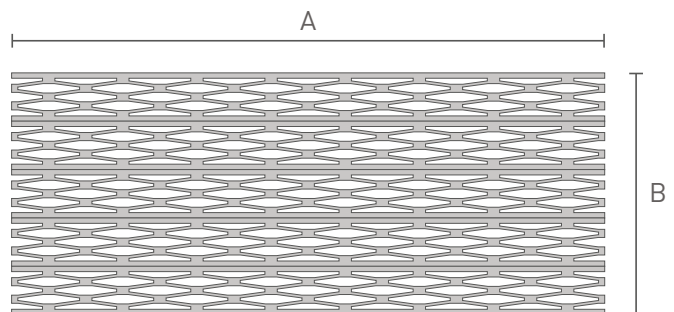
Product number	Total size (mm)			Mesh opening (mm)		Weight	
	(A) Length	(B) Width*	(C) Height	(D) Length	(E) Width	kg pr. m	kg pr. m ²
AR 35-370	5300	370	35	102	14	4,1	11
AR 35-400	5300	400	35	105	17	4,1	10,2
AR 50-250	5300	250	50	105	17	2,7	10,6
AR 50-370	5300	370	50	102	14	5,3	14,3
AR 50-400	5300	400	50	105	17	5,3	13,3
AR 50-500	5300	500	50	132	27	5,3	10,6

*Total width +/- 2mm

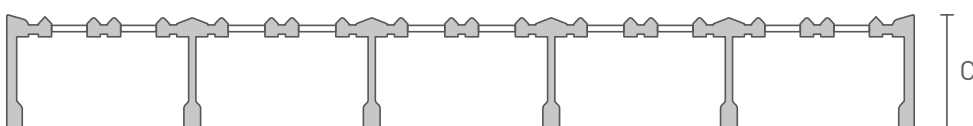
Single mesh:



AmpliRist®:

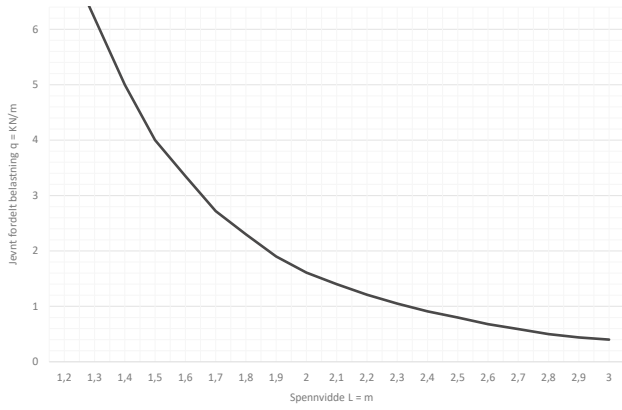


Cross section:

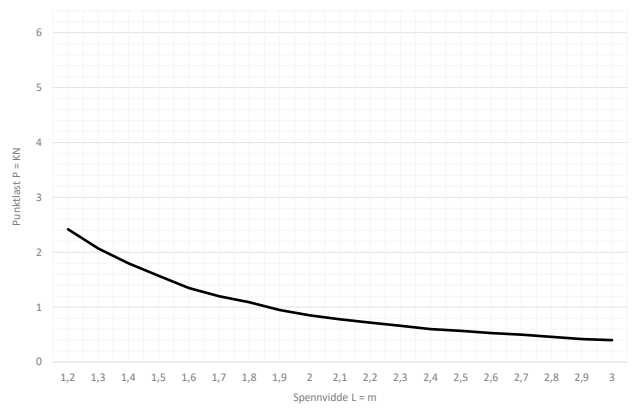


Load diagram:

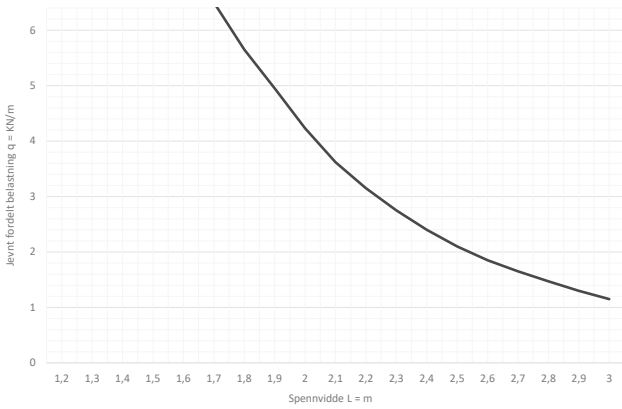
AR 35-370 and AR 35-400



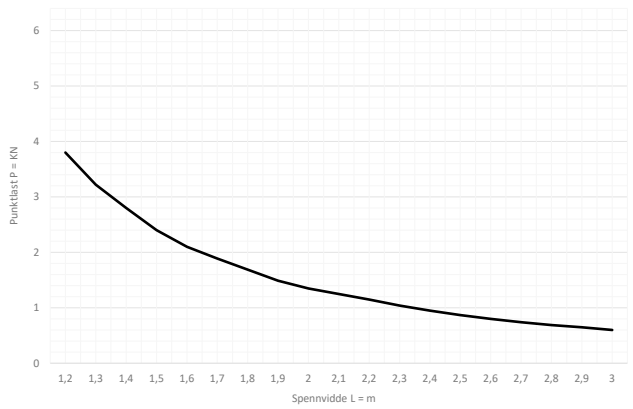
AR 35-370 and AR 35-400



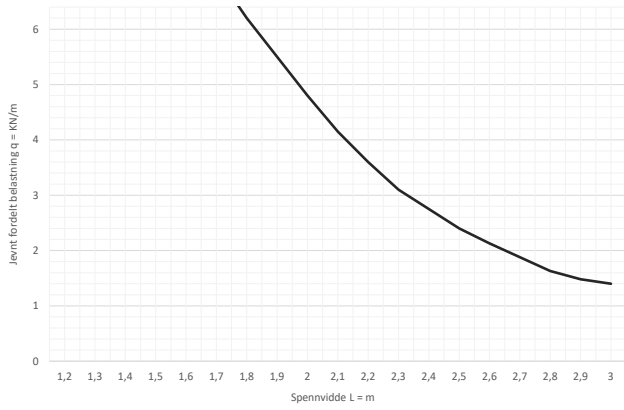
AR 50-250



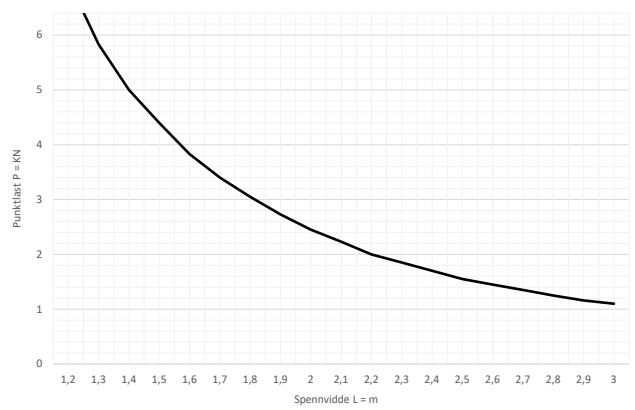
AR 50-250



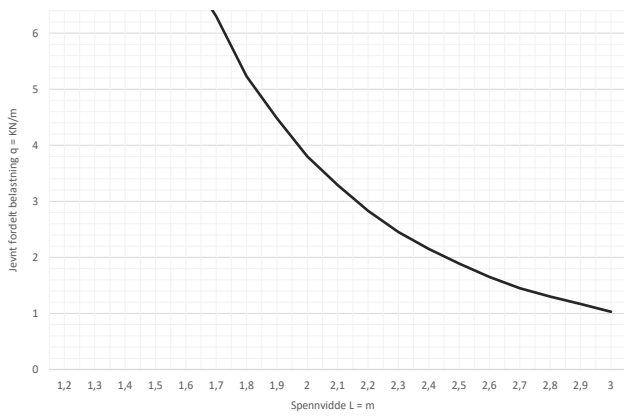
AR 50-370 and AR 50-400



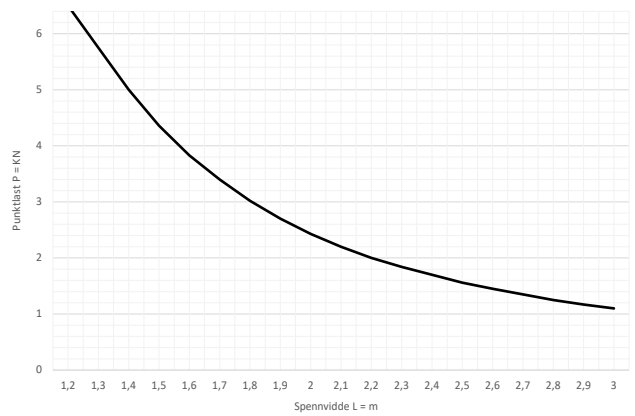
AR 50-370 and AR 50-400

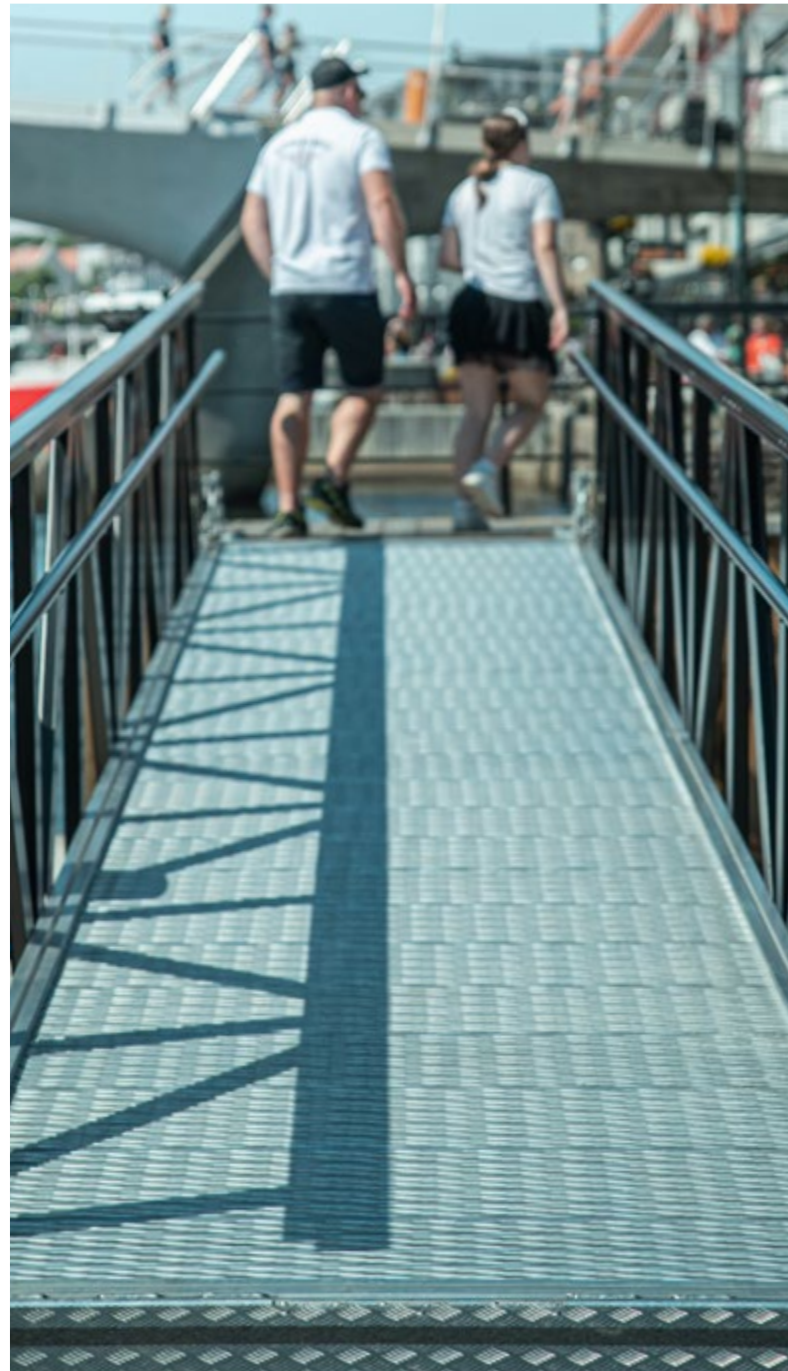
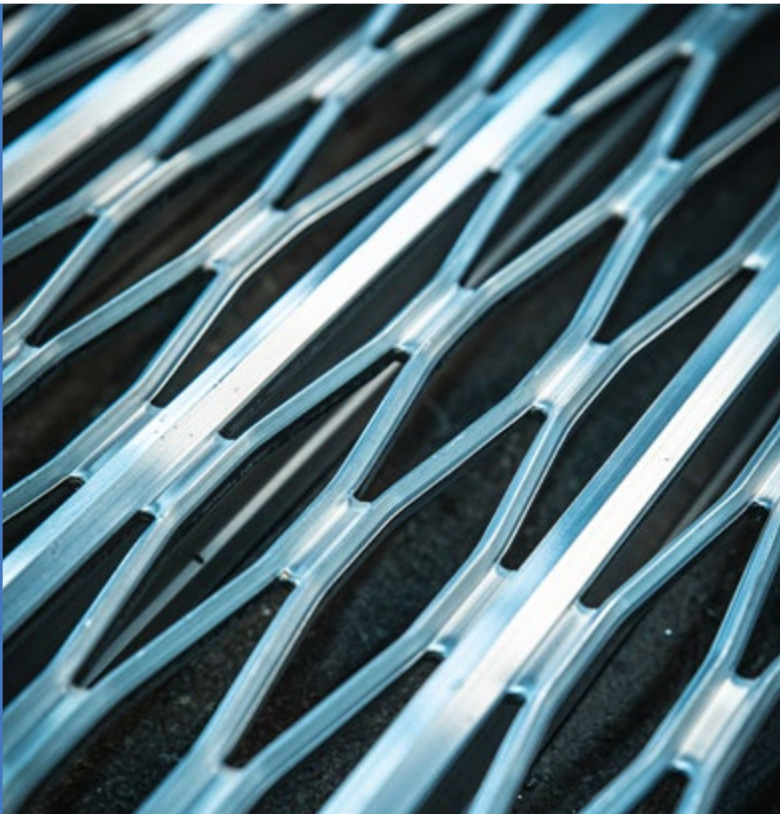


AR 50-500



AR 50-500

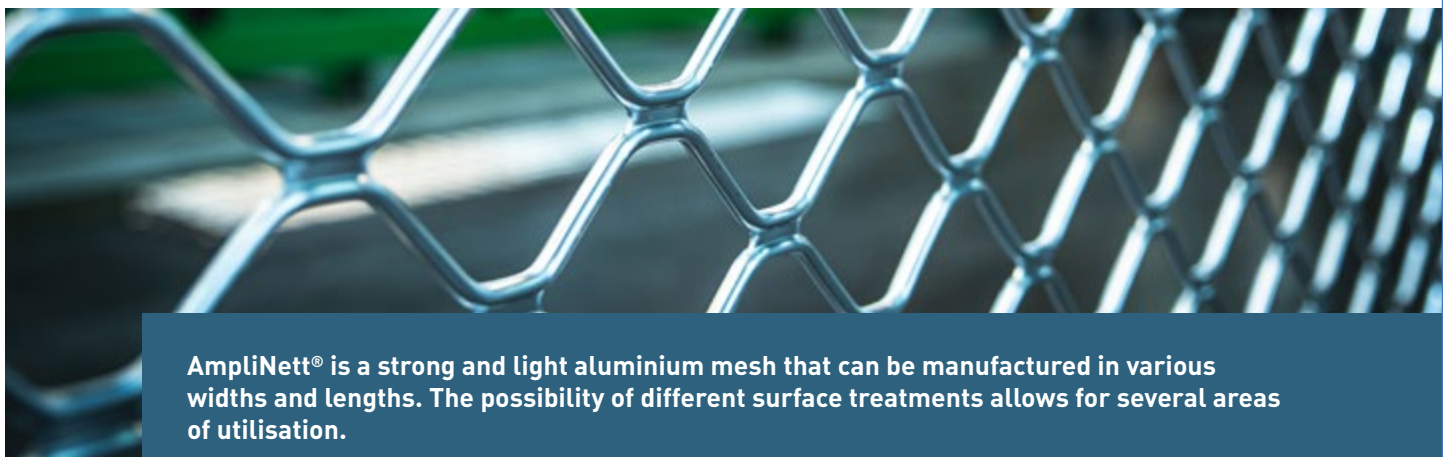




AmpliRist[®], areas of usage:

- Walkways/gangplanks
- Wheelchair ramps
- Platforms
- Scaffoldings
- Stairways
- Flooring

AmpliNett®



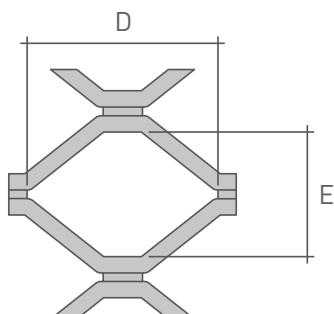
AmpliNett® is a strong and light aluminium mesh that can be manufactured in various widths and lengths. The possibility of different surface treatments allows for several areas of utilisation.

This product can be used as railings to ensure life safety on walkways, or in the shape of cages or fences to protect personnel from movable parts and machinery. It is also well equipped for creative use, such as for gates, ceilings, interiors and décor.

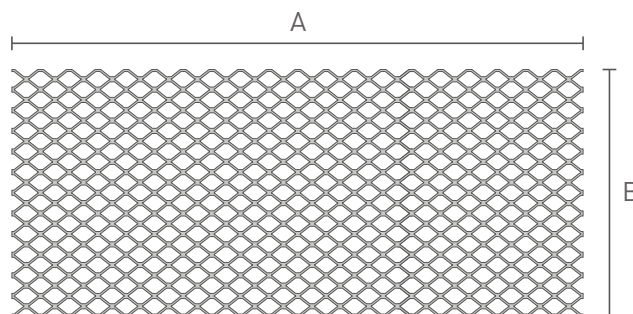
Product number	Total size (mm)			Mesh opening (mm)		Weight		Design
	(A) Length	(B) Width*	(C) Thickness	(D) Length	(E) Width	kg pr. m	kg pr. m ²	Mesh/width
AN 750	6390	750	7,4	96	53	2,39	3,2	11
AN 920	5840	920	7,4	85	69	2,86	3,1	11
AN 1100	3840	1100	7,4	104	85	2,66	2,4	11
AN 1170	3020	1170	4,8	104	80	1,89	1,2	15

* Total size +/- 2mm

Single mesh:

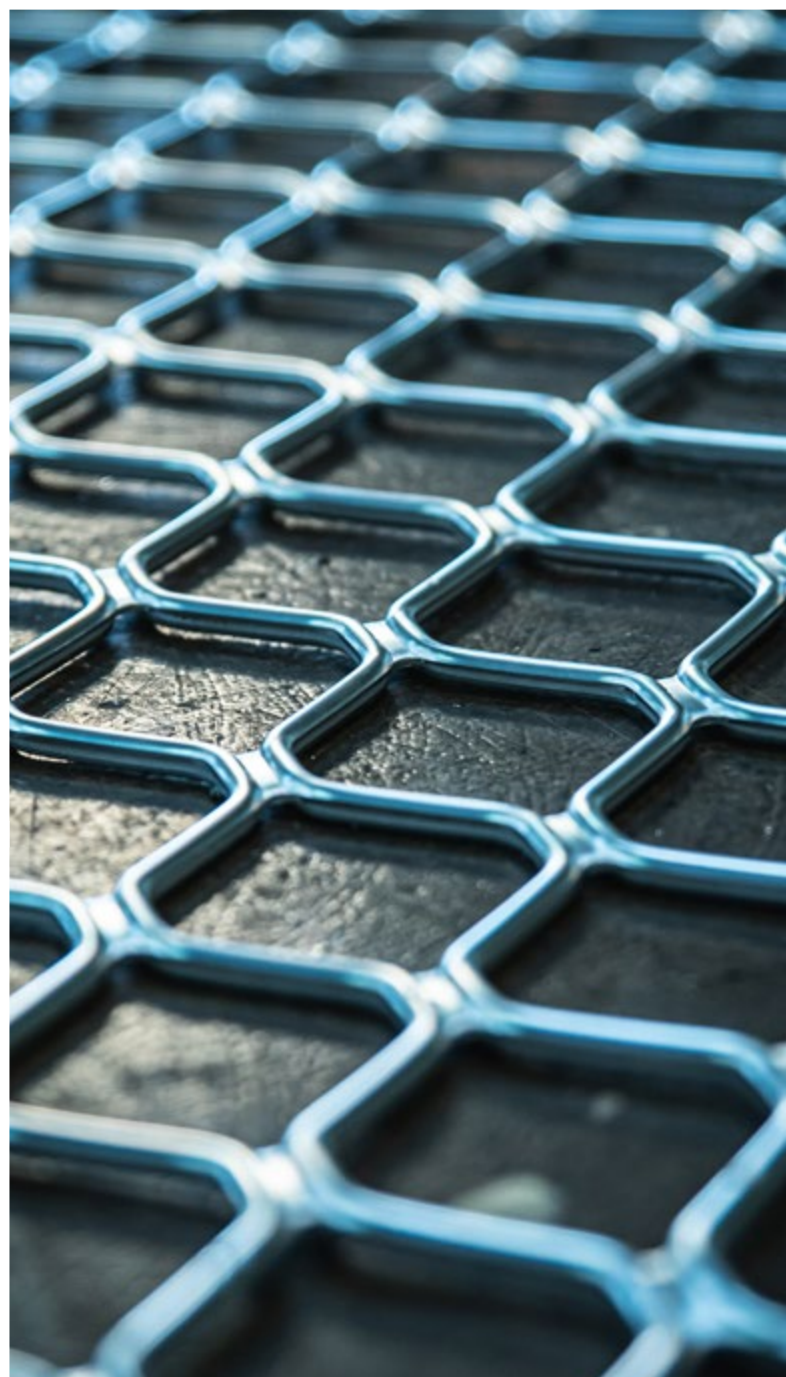


AmpliNett®:



Cross section:

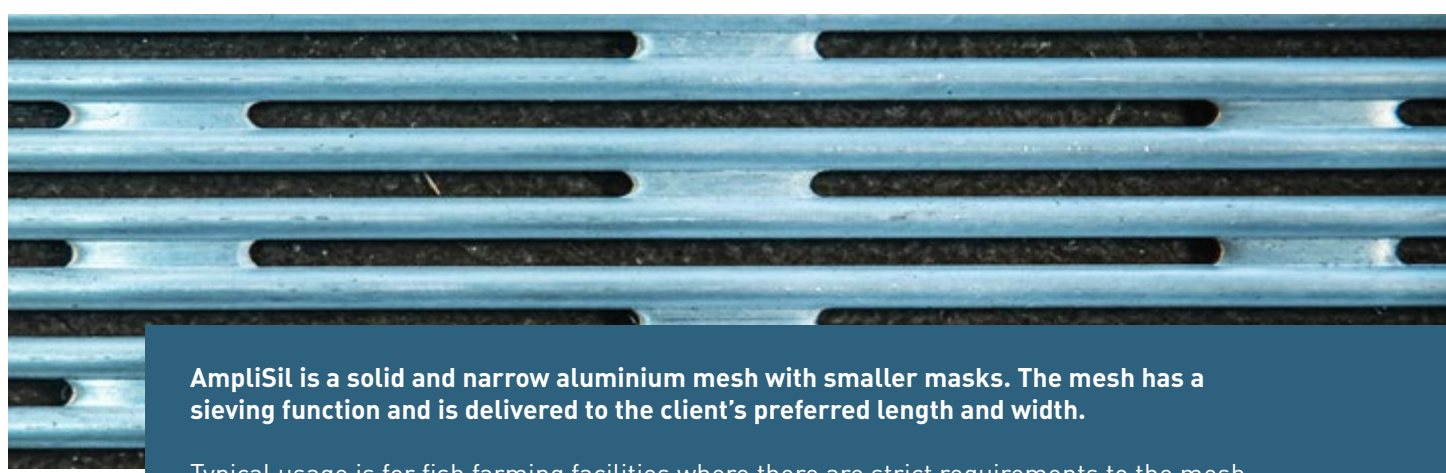




AmpliNett®, areas of usage:

- Gates and fences
- Railing gap elimination
- Protective barrier from machinery
- Fall protection
- Door and window protection
- Interior, décor, ceilings etc.

AmpliSil



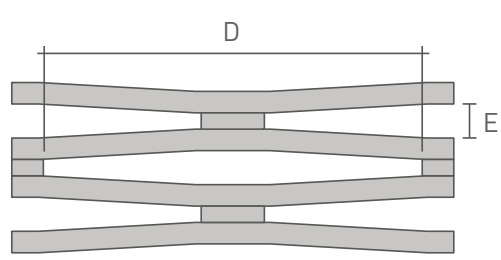
AmpliSil is a solid and narrow aluminium mesh with smaller masks. The mesh has a sieving function and is delivered to the client's preferred length and width.

Typical usage is for fish farming facilities where there are strict requirements to the mesh size and the durability in marine environments. AmpliSil is, for example, used for sieving large scale fish waste.

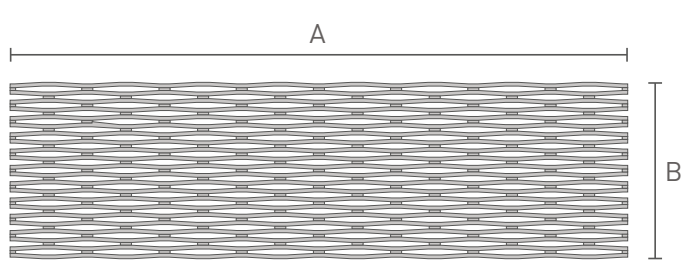
Product number	Total size (mm)			Mesh opening (mm)		Weight		Design
	(A) Length	(B) Width*	(C) Thickness	(D) Length	(E) Width	kg pr. m	kg pr. m ²	Mesh/width
AS 255	7060	255	7,4	108	8	2,37	9,1	11
AS 210	7170	210	7,4	110	4	2,33	11	11

* Total size +/- 2mm

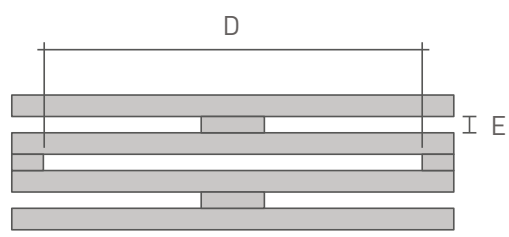
Single mesh - AS 255:



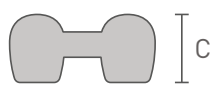
AmpliSil:

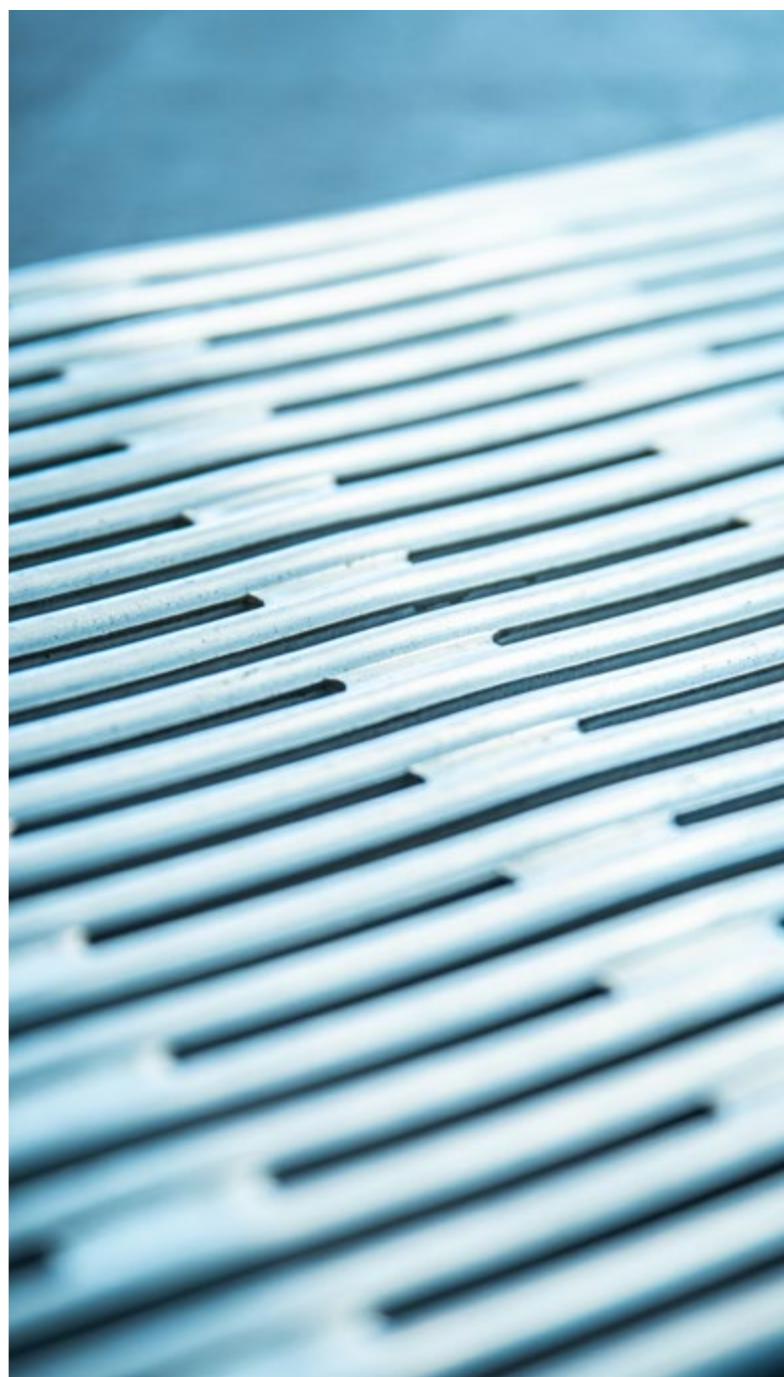
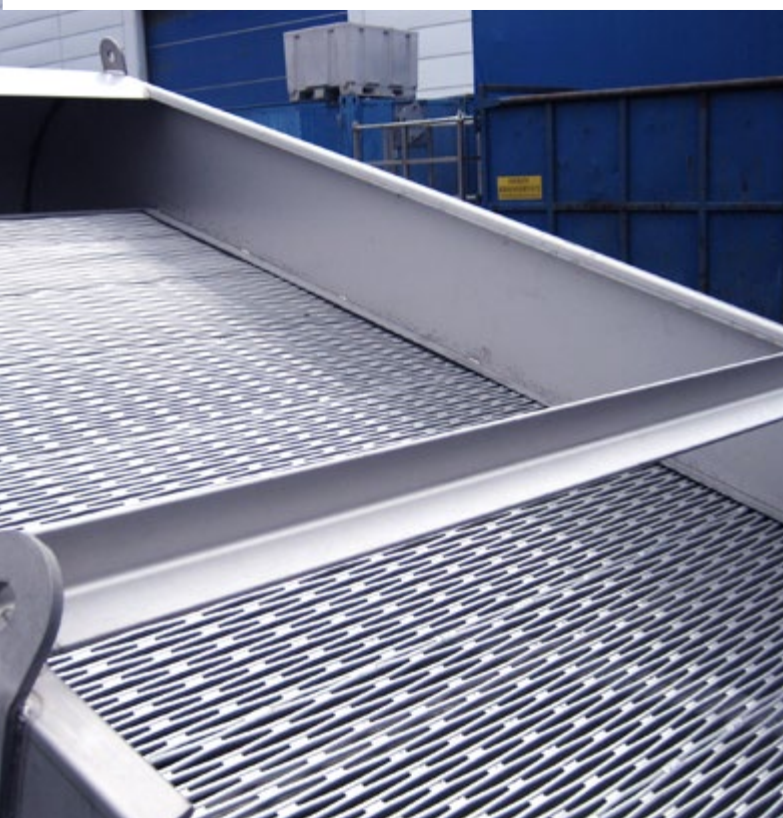


Single mesh - AS 210:



Cross section:





AmpliSit, areas of usage:

- Sieving of fish farming waste
- Gates and fences
- Railing gap elimination
- Protective barrier from machinery
- Interior, décor etc.

AmpliSafe®



AmpliSafe® is a frangible lattice mast constructed in a way that makes it both strong and light. This makes it suitable as a safety mast where this is required.

Our masts are used for airport landing systems, lighting, signs, meteorological equipment, windsocks and other installations that run a risk of collision and therefore needs to be frangible, i.e., break or collapse in case an airplane or another vehicle should collide with the mast.

With AmpliSafe® it is possible to build fences in combination with AmpliNett®. Our masts fulfil requirements for installations at airports and are installed on runways world wide.

Our masts can be combined to preferred length and strength requirements.

Product	Design	Width, side wall	Weight (kg/m)	Bending moment (kNm)
AmpliSafe® 3M	3-sides	240 mm	11,1	31,4
AmpliSafe® 3S	3-sides	195 mm	5,8	16,1
AmpliSafe® 4M	4-sides	240 mm	14,3	83,7
AmpliSafe® 4S	4-sides	195 mm	7,7	29,1



AmpliSafe® 3M

Lattice mast in a triangular design with 240 mm side walls.



AmpliSafe® 3S

Lattice mast in a triangular design with 195 mm side walls.



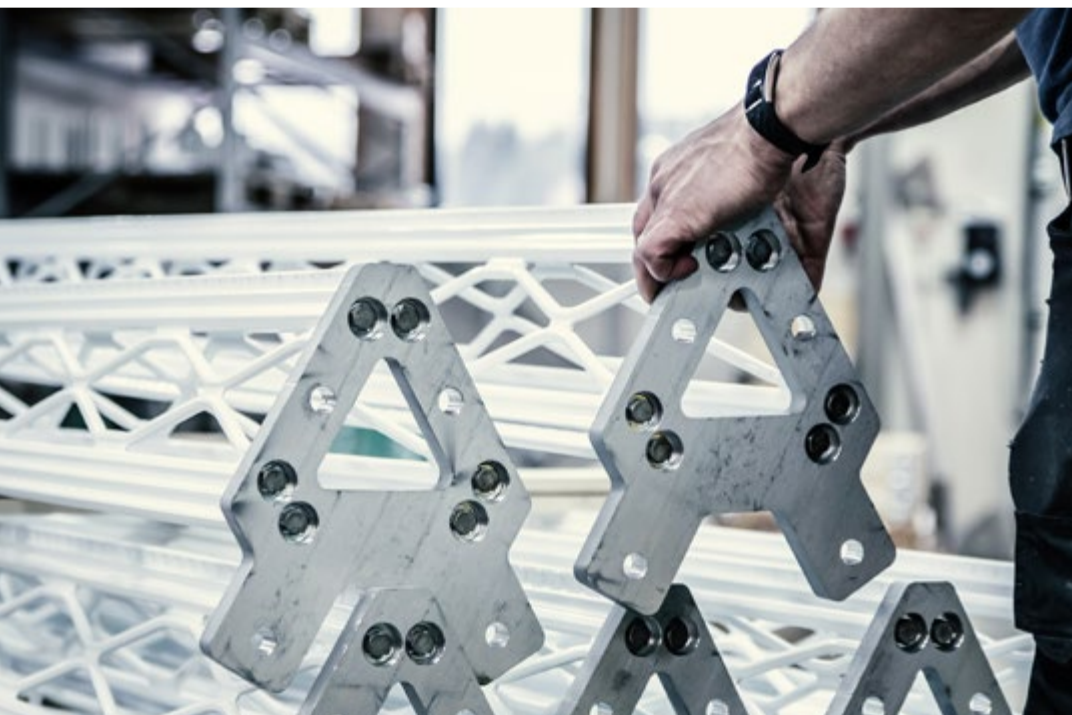
AmpliSafe® 4M

Lattice mast in a square design with 240 mm side walls.



AmpliSafe® 4S

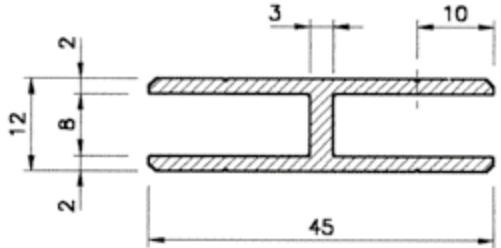
Lattice mast in a square design with 195 mm side walls.



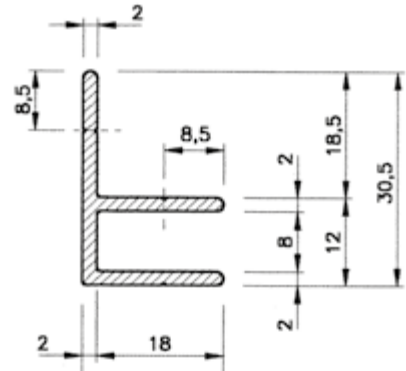
Framing profiles

AmpliNett® - Framing profiles for AN 750-920-1100

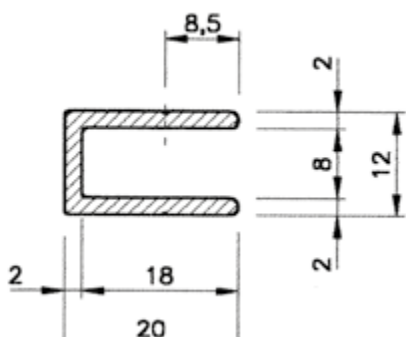
Profile no.: 321455
Length: 5,0 m
Weight: 0,54 kg/m
Product no.: 242053 0530 untreated
 242053 0535 natural anodized
Perimeter: 196



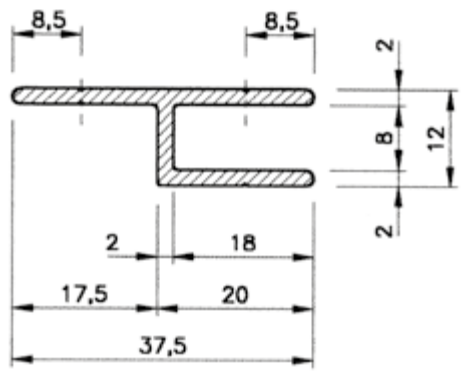
Profile no.: 321097
Length: 5,0 m
Weight: 0,35 kg/m
Product no.: 242053 0520 untreated
 242053 0525 natural anodized
Perimeter: 135



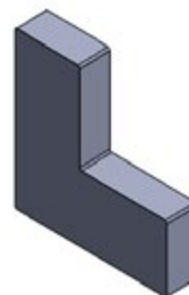
Profile no.: 321095
Length: 5,0 m
Weight: 0,26 kg/m
Product no.: 242053 0500 untreated
 242053 0505 natural anodized
Perimeter: 98



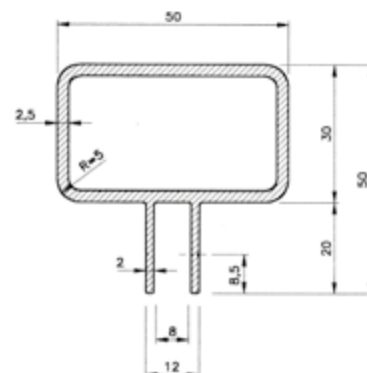
Profile no.: 321096
Length: 5,0 m
Weight: 0,35 kg/m
Product no.: 242053 0510 untreated
 242053 0515 natural anodized
Perimeter: 133



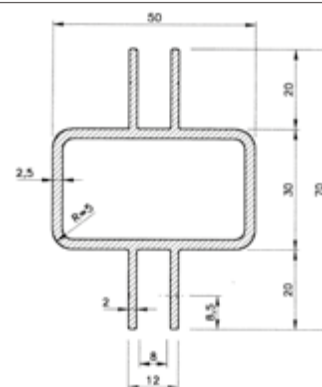
Profile name: Corner bracket
Profile no.: D-907
Length: 8,0 mm
Product no.: 242060 0500 untreated



Profile no.: 321107
Length: 5,0 m
Weight: 1,18 kg/m
Product no.: 242053 0580 untreated
Perimeter: 231

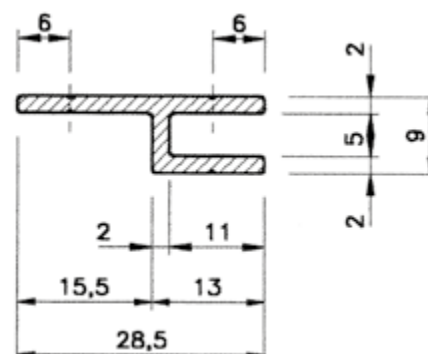


Profile no.: 321108
Length: 5,0 m
Weight: 1,40 kg/m
Product no.: 242053 0590 untreated
Perimeter: 310

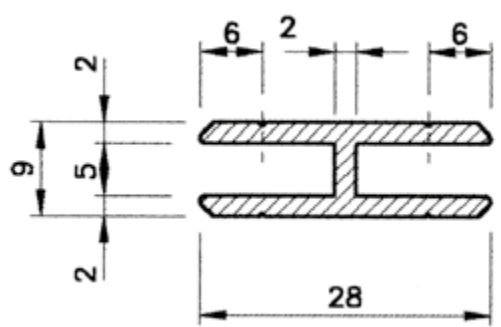


AmpliNett® - Framing profiles for AN 1170

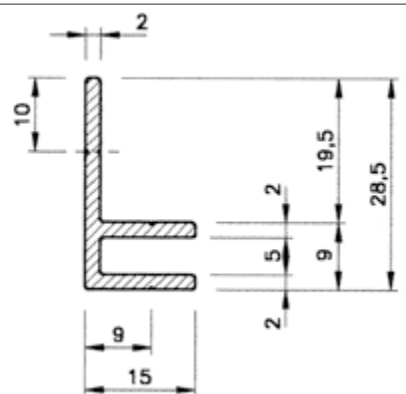
Profile no.: 321100
Length: 5,0 m
Weight: 0,25 kg/m
Product no.: 242053 0537 untreated
Perimeter: 96



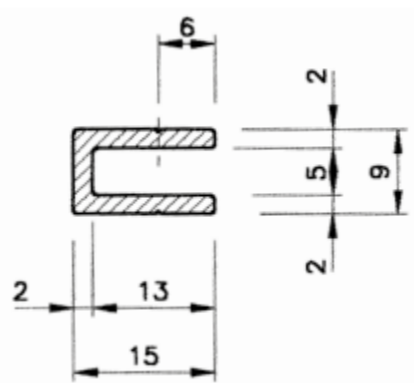
Profile no.: 321102
Length: 5,0 m
Weight: 0,32 kg/m
Product no.: 242053 0560 untreated
Perimeter: 123



Profile no.: 321101
Length: 5,0 m
Weight: 0,29 kg/m
Product no.: 242053 0550 untreated
Perimeter: 112

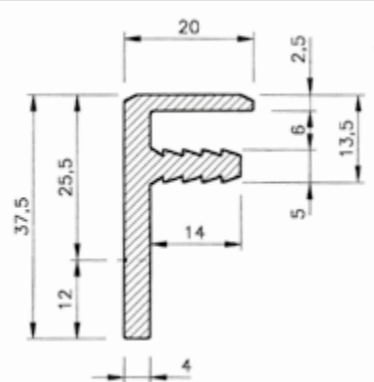


Profile no.: 321103
Length: 5,0 m
Weight: 0,19 kg/m
Product no.: 242053 0570 untreated
Perimeter: 73

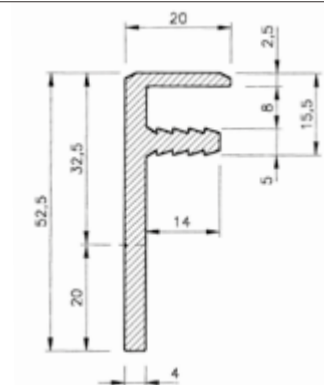


AmpliRist® - Edge profiles

Profile no.: 321104
Length: 5,0 m
Weight: 0,62 kg/m
Product no.: 242058 0500 untreated
Perimeter: 161

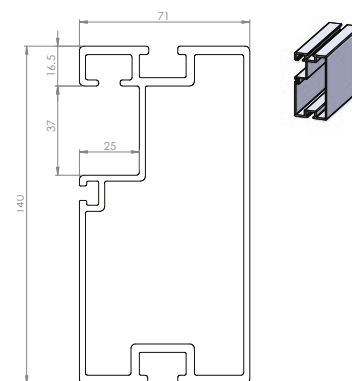


Profile no.: 321106
Length: 5,0 m
Weight: 0,79 kg/m
Product no.: 242058 0550 untreated
Perimeter: 181

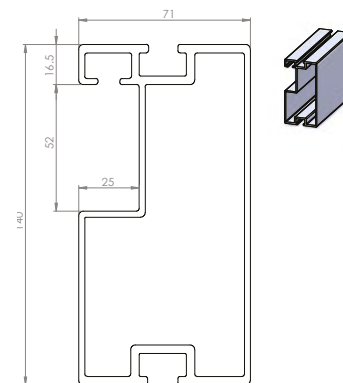


Stringer-beam profiles for walkways

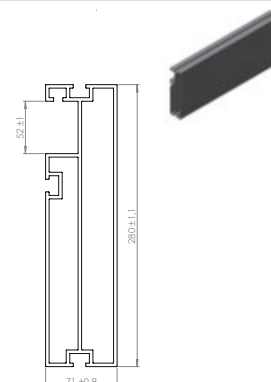
Profile name: Stringer beam 140x71mm, Grate AR1
Profile no.: ASV0102
Length: 6,55 m
Weight: 4,05 kg/m
Product no.: 241395 0238 untreated
Perimeter: 607



Profile name: Stringer beam 140x71mm,
Grate AR3 og AR5
Profile no.: NRM0102
Length: 6,55 m
Weight: 3,97 kg/m
Product no.: 241395 0239 untreated
Perimeter: 585

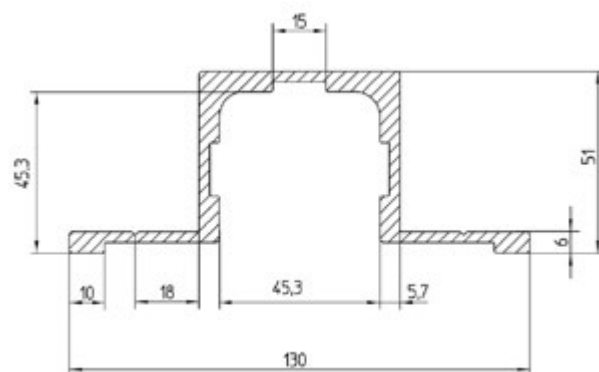


Profile name: Stringer beam 280x71mm,
Grate AR3 og AR5
Profile no.: NRM0104
Length: 7,5 m
Weight: 9,30 kg
Perimeter: 915

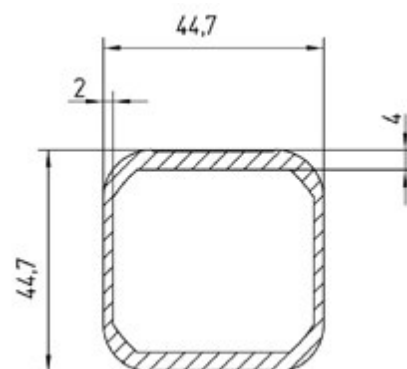


Railing profiles

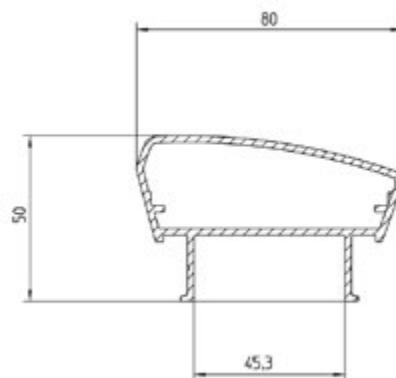
Profile name: Fastening profile
Profile no.: 1307-4
Length: 4,85 m
Weight: 2,73 kg/m
Product no.: 241395 0330 untreated
 241395 03291 natural anodized
Perimeter: 457



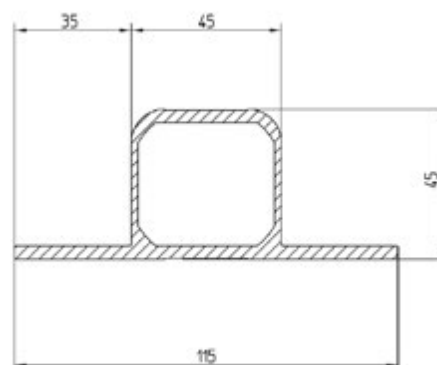
Profile name: Railing post profile
Profile no.: 1318-41
Length: 6,5 m
Weight: 1,31 kg/m
Product no.: 241395 0301 natural anodized
 241395 0299 untreated
Perimeter: 162



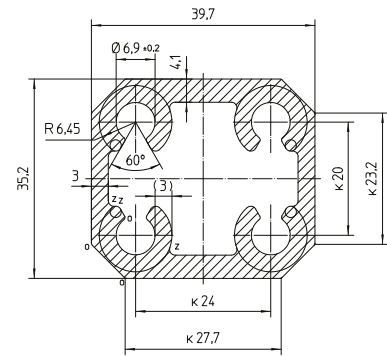
Profile name: Hand rail profile
Profile no.: 4T-709
Length: 6,5 m
Weight: 1,37 kg/m
Product no.: 241395 0345 natural anodized
 241395 03441 untreated
Perimeter: 290



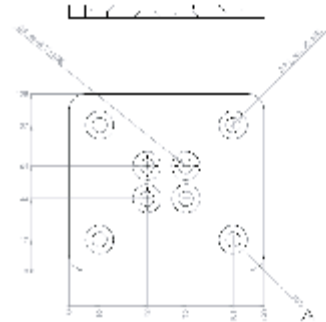
Profile name: Railing post profile with flange
Profile no.: 1401-4
Length: 6,5 m
Weight: 2,12 kg/m
Product no.: 241395 0310 natural anodized
Perimeter: 311



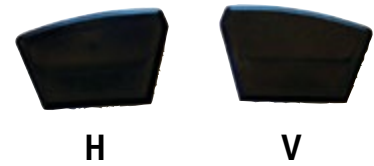
Profile name: Railing fastener
Profile no.: 365551
Length: 5,0 m
Weight: 1,63 kg/m
Product no.: 241395 03165 untreated
Perimeter: 136



Profile name: Base plate
Weight: 0,18 kg
Product no.: 241395 031665 natural anodized



Profile name: Plastic cover for handrail
Profile no.: 4T709
Product no.: 241395 7010 (H)
241395 7000 (V)



Profile name: Plastic cover for railing
Profile no.: 1318-4 and 1401-4
Product no.: 241395 7020





ENVIRONMENT

Normeka focuses on the environment! We are continuously searching for environmentally friendly solutions, and we follow all new requirements for waste handling and recycling.

Aluminium production involves a certain amount of residual material, so it is important that all of this is recycled. The advantage of aluminium is that it can be recycled an endless number of times.

To recycle aluminium requires a mere 5% of energy compared to extracting aluminium from Bauxite. This means that the amount of energy needed to make one kilo of brand-new aluminium can be used to making 20 kilos of recycled aluminium.

Aluminium is therefore frequently called "the green metal".



Østkroken 242
1950 Rømskog

Switchboard
(+47) 69 85 90 90

normeka@normeka.no
normeka.no

Certifications:

NS EN 9001:2015 // EN 1090-1:2009+A1:2011 // ISO 3834-3:2005 // ISPM 15-Emballasje // STARTBANK